



2.5" x 2.5" Galvanized Post

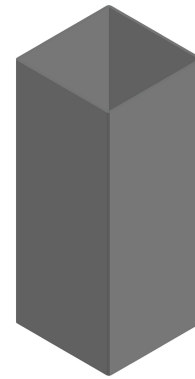
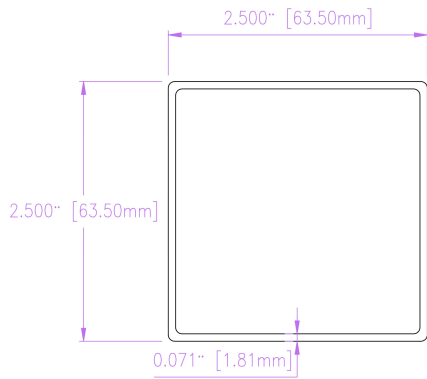
PRODUCT DATA SHEET
U.S. Patent 11,066,846 B1

PART: 2.5" Post
REV: C
DATE: 2026-05-19
SHEET: 1 of 1

DESCRIPTION

Cold-formed galvanized steel support post for the patented ecFence privacy fence system. Set first in concrete footings, the post receives the ecStarter and each ecPanel course that builds the run. Galvanized substrate with powder-coat topcoat available in standard ecFence finish colors. Engineered for Florida High Velocity Hurricane Zone (HVHZ) compliance at fence heights up to 6 ft, for residential and commercial perimeter applications.

DRAWINGS



CROSS-SECTION

ISOMETRIC

SPECIFICATIONS

| | | | |
|--------------------|---------------------------|-----------------------|--|
| Material | ASTM A500 Grade B | Outside dimensions | 2.5 × 2.5 in (63.5 × 63.5 mm) |
| Coating, Substrate | G60 pre-galvanized | Standard length | 8 ft (96 in) |
| Coating, Topcoat | Powder coat per AAMA 2603 | Field-cut range | 1 in to 96 in |
| Wall thickness | 0.0713 in (1.81 mm) | Section modulus, Sx | 1.34 in ³ |
| Weight, per post | 19.23 lb (8.72 kg) | Wind rating (system) | 115 MPH · Florida HVHZ approved · up to 6 ft |
| Bundling | 50 pieces / bundle | Engineering reference | Drawing S-1 (Florida) — fences up to 6 ft |



DURABLE



ROT-PROOF



TERMITE-PROOF



LOW MAINTENANCE

FINISH COLORS

PRODUCTION

● Natural Bronze ○ Arctic White

COMING SOON

● Foggy Gray ● Midnight Black

INSTALLATION & FASTENING

POST SETTING

Set in 3000 PSI concrete footing, 12" Ø × 2'-6" deep. 2'-0" post embedment, 6" of concrete below post. Post spacing 6'-0" o.c.

POST SPACING

| Fence Height | Spacing | Post Length |
|--------------|------------|------------------|
| 4 ft | 6'-0" o.c. | 6 ft |
| 6 ft | 6'-0" o.c. | 8 ft |
| 8 ft+ | — | Use 3" × 3" post |

Per ecFence engineering reference S-1.

FIELD CUTTING

Field-cuttable to length. Use ferrous-metal-rated tooling: compact band saw suggested; chop saw or grinder also acceptable.

STORAGE & HANDLING

Do not store packaged posts outdoors. Combined sun and rain exposure may cause protective film and foam separators to stain post paint. Store indoors or under fully waterproof cover until installation.