



ecCorner Cover

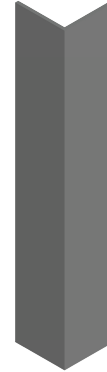
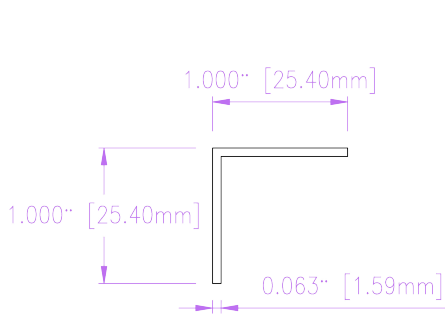
PRODUCT DATA SHEET
U.S. Patent 11,066,846 B1

PART: ecCorner Cover
REV: C
DATE: 2026-05-19
SHEET: 1 of 1

DESCRIPTION

Aluminum angle trim that covers exterior corners where two ecPanel runs meet at 90° in the patented ecFence privacy fence system. Fastened directly to one ecPanel face with three color-matched screws, leaving the opposite leg as a clean fastener-free face. Available in standard ecFence finish colors, for residential and commercial perimeter applications.

DRAWINGS



CROSS-SECTION

ISOMETRIC – FRONT

ISOMETRIC – BACK

SPECIFICATIONS

Material	6063-T5 aluminum extrusion	Cross-section	1 × 1 × 1/16 in (25.4 × 25.4 × 1.59 mm)
Coating	Powder coat per AAMA 2603	Standard length	70 in
Weight, per piece	0.83 lb (0.38 kg)	Field-cut range	1 in to 70 in
Bundling	10 pieces / bundle		



DURABLE



ROT-PROOF



TERMITE-PROOF



LOW MAINTENANCE



EASY TO INSTALL

FINISH COLORS

PRODUCTION

● Natural Bronze ○ Arctic White

COMING SOON

● Foggy Gray ● Midnight Black

INSTALLATION & FASTENING

FASTENERS

Fastens to one ecPanel face only with three #10 × 3/4 in self-drilling screws – top, center, bottom.

COMPONENT LENGTH

Fence Height	ecCorner Cover Length
4 ft	45 in
6 ft	70 in
8 ft	95 in

Per fence section.

FIELD CUTTING

Field-cuttable to any length. Use a miter saw with non-ferrous metal blade (TCT, 80T+) for cleanest cuts; a grinder with cutoff disc works but is rougher. Deburr edges. For runs over 70 in, splice with a cut piece or order custom length.

STORAGE & HANDLING

Do not store packaged covers outdoors. Combined sun and rain exposure may cause protective film and foam separators to stain the powder-coat finish. Store indoors or under fully waterproof cover until installation.