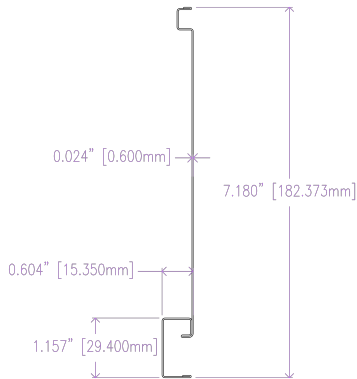




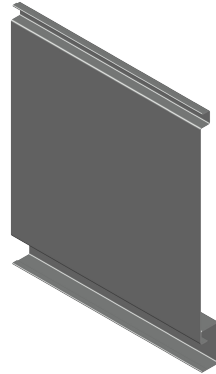
DESCRIPTION

Roll-formed horizontal slat panel for the patented ecFence privacy fence system. Self-mating U-lip and G-channel interlock engagement conceals all fasteners on the exposed face. Engineered for Florida High Velocity Hurricane Zone (HVHZ) compliance. Available in standard ecFence finish colors, for residential and commercial perimeter applications.

DRAWINGS



CROSS-SECTION



ISOMETRIC – FRONT



ISOMETRIC – BACK

SPECIFICATIONS

Material	PPGL coil, AZ150 Al-Zn Coating	Panel face (uninstalled)	7.180 in (182.4 mm)
Coating, Top	15 micron SMP + 5 micron epoxy primer	Exposed face (installed)	6.250 in · nominal 6 in
Coating, Back	15 micron SMP + 5 micron epoxy primer	Standard length	12 ft (144 in)
Material thickness	0.024 in (0.6 mm)	Field-cut range	1 in to 144 in
Weight, per panel	8.885 lb (4.03 kg)	Wind rating (system)	115 / 175 MPH † · Florida HVHZ
Bundling	12 pieces / bundle	Engineering reference	Drawing S-1 (Florida) – 6 ft & 8 ft



PATENTED



DURABLE



ROT-PROOF



TERMITE-PROOF



LOW MAINTENANCE



PRIVACY



MODERN LOOK



HIDDEN FASTENERS



EASY TO INSTALL



25 YEAR WARRANTY

FINISH COLORS

PRODUCTION

● Natural Bronze ○ Arctic White

COMING SOON

● Foggy Gray ● Midnight Black

INSTALLATION & FASTENING

FASTENERS

#10 × 3/4 in self-drilling screw. One screw at each post the panel crosses. 6 ft & under: 3 screws, posts 6 ft o.c. · 8 ft: 4 screws, posts 4 ft o.c.

STANDARD CONFIGURATIONS

Nominal	ecStarter	ecPanels	Actual
4 ft	1	7	44 31/32 in
6 ft	1	11	70 in
8 ft	1	15	95 1/32 in

Per 12 ft fence section.

FIELD CUTTING

Field-cutttable in any direction (length, height, diagonal for grade). Use ferrous-metal-rated tooling: dry-cut chop saw with steel-cutting blade for length cuts; metal-cutting circular saw for height cuts.

STORAGE & HANDLING

Do not store packaged panels outdoors. Combined sun and rain exposure may cause protective film and foam separators to stain panel paint. Store indoors or under fully waterproof cover until installation.

† 115 MPH at 6 ft & under; 175 MPH at 8 ft. The 8 ft system requires a 3 in × 3 in × 10 ga ASTM A500 Gr. B post (specified; supplied by others) set per Drawing S-1 (8 ft).